

FLANGED GATE VALVE

PN 16/10 2"-24" (50-600 mm)

Soft sealing
Ductile cast iron
Full bore

LONG LIFE VALVES



Face to Face:
Series 14 EN 558-1 (F4) - (HAKOHAV Short).
Series 15 EN 558-1 (F5) - (HAKOHAV Long).

Products

HAV	PN	Face to Face	Flange standard	Nominal size													
				mm	50	80	100	150	200	250	300	350	400	450	500	600	
				inches	2"	3"	4"	6"	8"	10"	12"	14"	16"	18"	20"	24"	
Type 001	PN 16	Short	EN-1092-2/ISO 7005-02		*	*	*	*	*	*	*	*	*	*	*	*	*
Type 002	PN 16	Long	EN-1092-2/ISO 7005-02		*	*	*	*	*	*	*	*	*	*	*	*	*
Type 003	PN 16	Short	AS-2129/BS10		*	*	*	*	*	*	*	*	*	*	*	*	*
Type 004	PN 16	Long	AS-2129/BS10		*	*	*	*	*	*	*	*	*	*	*	*	*

Coating: NYLON11 (Rilsan) / EPOXY / ENAMEL

Order example: HAV type 001 DN80 NYLON11 (Rilsan)

Description

Application

Shut-off valve, two way direction, vertically and horizontally.
Working temperature up to 90°C.

Operation

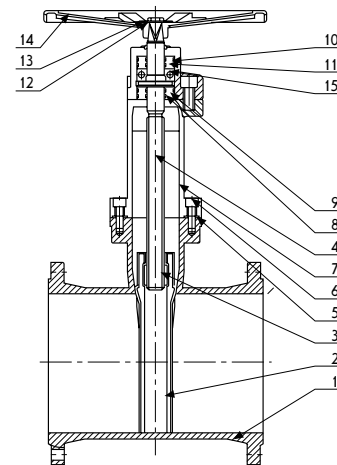
With T-key, hand wheel, chain wheel, pneumatic or electric actuator.
Upper flange for electrical operation according to ISO5210.

Coating

Nylon11 (Rilsan) powder in dipping process - 250 µm (min).
Electrostatic Epoxy powder - GSK Ral 5005 - 250 µm (min).
Enamel coating - 250 µm (min).

Features

- Body designed according to DIN3352.
- Flange conforms to DIN3202.
- Bi directional shut of valve.
- Body in nodular cast iron to withstand sudden water hammers.
- Full bore passage for all sizes of valves.
- Fully vulcanized wedge with rubber (EPDM).
- Smooth surface seating and not Groove type seating, which avoids settlement of impurities within the valve.
- All inner components in contact with are made of stainless steel or copper alloy.
- Cold rolled stainless steel shafts.
- Low operating torques.
- Replaceable stem nut, without dismantling the valve from the pipe line.
- Longer life cycle.
- Body coating in Electrostatic Epoxy min 250 µm.

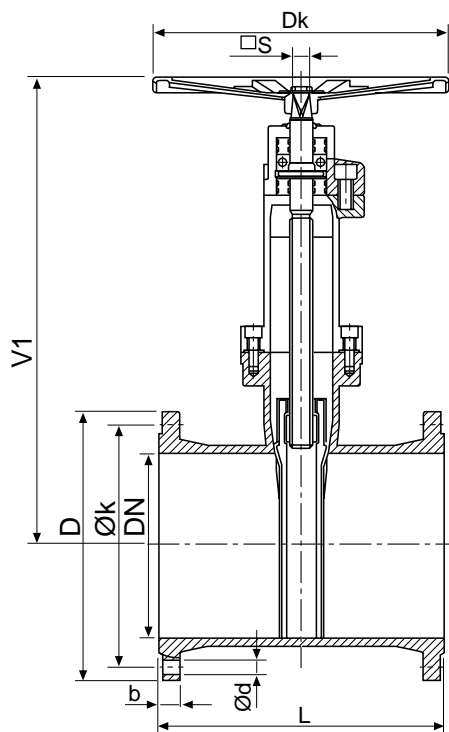


Material Specification

No.	Part Name	Material
1	Valve body	GGG40/50
2	Resilient wedge	GGG40/50+EPDM
3	Wedge nut	Bronze C83600
4	Stem	SS410
5	Bonnet gasket	EPDM
6	Bonnet screw	Steel zine plated
7	Bonnet	GGG40/50
8	Stem primary O-ring	EPDM
9	Stem thrust washer	Nylon 1010
10	Gland seal O-ring	EPDM
11	Stem ring wiper	EPDM
12	Operating nut washer	Steel zine plated
13	Operating nut screw	Steel zine plated
14	Hand wheel	Steel ST12
15	Stem bushing	Brass C36000

Applications for:	Drinking water	Air cooling system	Hot water	Steam	Water treatment	Sewage water	Sea water	Desalination plants	Chemical industry	Food industry	Pulp/Paper industry	Dry air	Gas	Vacuum
	✓				✓	✓	✓						✓	

Dimensions (mm)



HAV Dimensions Table

		Dimension	DN											
			50	80	100	150	200	250	300	350	400	450	500	600
		mm	2"	3"	4"	6"	8"	10"	12"	14"	16"	18"	20"	24"
Face to Face	F4	L	150	180	190	210	230	250	270	290	310	330	350	390
	F5		250	280	300	350	400	450	500	550	600	650	700	800
General dimensions		Dk	200	250	315	315	400	500	500	500	630	630	630	630
		S	14.3	17.3	17.3	17.3	24.3	27.3	27.3	27.3	32.3	32.3/40	36.3/40	41.3/40
		V1	253	320	343	425	530	621	703	841	922	1022	1177	1379
Flange dimensions AS2129-(TD) / PN10		b	19	19	19	19	20	22	24.5	26.5	28	30	31.5	36
		D	165	200	220	285	340	400	455	520	580	640	715	840
		d	19	19	19	23	23	23	23	23	28	29	29	32
		k	125	160	180	240	295	350	400	460	515	565	620	725
Flange dimension EN1092-2 / ISO PN16		b	19	19	19	19	20	22	24.5	26.5	28	30	31.5	36
		D	165	200	220	285	340	400	455	520	580	640	715	840
		k	125	160	180	240	295	355	410	470	585	585	650	770
Turns/stroke			7	11	13	16	17	21	25	44	50	57	63	75
Loss Factor			0.17	0.13	0.12	0.11	0.10	0.09	0.07	0.06	0.04	0.03	0.02	0.02
Weight	F4	[Kg]	10.2	16.3	19.6	35	63	104	157	213	260	351	531	770
	F5		12.2	18	21	37	68	115	168	249	305	409	606	885
Closing Torque (N.m)			27	36	50	50	100	165	165	225	315	425	525	600

Dimensions and weight can be changed without notification.